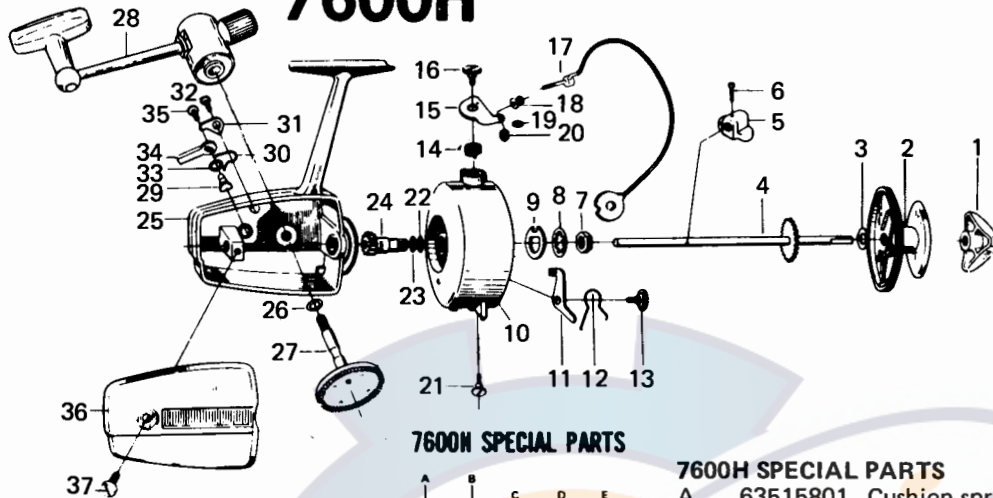
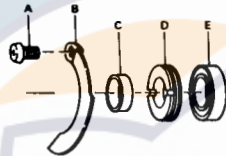




# SPINNING REEL 7600 7600H



### 7600H SPECIAL PARTS



### 7600H SPECIAL PARTS

A	63515801	Cushion spring retaining screw
B	61505221	Cushion spring
C	65002131	Pinion collar
D	63407721	Ball bearing retaining nut
E	66310041	Ball bearing

LINE CAPACITY: 250 YDS., 15 LB. TEST (210m Dia. 0.40mm)

Key No.	Parts No.	Parts Name	Key No.	Parts No.	Parts Name
1	60051802	Drag knob	26	63700352	Drive gear washer
2	60004351	Spool assembly	27	64114411	Drive gear
3	63712731	Spool washer	28	60002031	Handle
4	60043331	Main shaft	29	64601851	Anti-reverse cam
5	64803231	Oscillating slider	30	61409031	Anti-reverse claw spring
6	64902421	Oscillating slider pin	31	61101711	Anti-reverse claw
7	63405842	Rotor nut	32	63512561	Anti-reverse claw screw
8	61601611	Rotor washer	33	61501751	Anti-reverse lever washer
9	63713111	Rotor retaining washer	34	65401911	Anti-reverse lever
10	60054451	Rotor	35	63501931	Anti-reverse lever screw
11	65702741	Bail kick lever	36	67056203	Body cover
12	61405031	Bail kick lever spring	37	63606911	Body cover screw
13	63611511	Bail kick lever screw	(19, 22, 23, 7600 only)		
14	61412801	Bail spring	<b>For 7600H only</b>		
15	62301651	Arm lever	15	62303911	Arm lever
16	63616411	Arm lever screw	17	60029431	Bail
17	60029221	Bail	18	62501901	Line roller
18	62501011	Line roller	20	63408201	Bail nut
19	61600121	Bail washer	24	64006971	Pinion
20	63402011	Bail nut	25	61908932	Body
21	63616501	Bail holder screw	27	64114531	Drive gear
22	63713801	Pinion adjusting washer	28	60002032	Handle
23	63712823	Pinion washer	32	61103301	Anti-reverse claw
24	64005521	Pinion	37	67056204	Body cover
25	60053323	Body			

**Darwa**

Page  
31

Date  
12-75

Rev. No.  
00